

HOW TO EXTEND YOUR WARRANTY

We recommend cleaning your water softener every four months with Whirlpool® Water Softener Cleanser. This cleaner keeps the inner workings of your softening system performing at its best. Plus, by following the steps below, you can extend your Whirlpool parts and labor warranty.



STEP 1 Register your product on whirlpoolwatersolutions.com

STEP 2 Purchase three bottles of WHE-WSC Whirlpool® Water Softener Cleanser per year.

STEP 3 Keep all purchase receipts, including water softener unit and cleanser purchases, to validate warranty and extension dates.

BENEFITS OF HAVING SOFT WATER

50% BETTER WATER HEATER EFFICIENCY
Water heaters can last up to 50% longer and use up to 29% less energy*

INCREASED APPLIANCE LIFESPAN
30%-50% increase in the lifespan of major water-using appliances, including water heaters, dishwashers and washing machines**

LOWER UTILITY BILLS
You'll save an estimated \$1,500 in energy bills over a 10-year period*

A CLEANER HOME
Less spotting on dishes and glassware and, best of all, no embarrassing stains or hard water deposits on tubs and showers

*Per research conducted by the Water Quality Research Council and WQA

**Per research conducted by the Battelle Memorial Institute and American Water Works Association

EVERY MODEL DELIVERS ADVANCED INNOVATION



All models utilize innovative 6th Sense® Technology to help you save salt and water.

DEMAND INITIATED REGENERATION
Monitors your water usage and only regenerates when necessary.

INDUSTRY-LEADING VALVE TECHNOLOGY
Delivers maximum performance you can count on.

BUILT WITH AMERICAN PRIDE
All Whirlpool Water Softeners are designed, engineered and assembled in the U.S.A.

Whirlpool®



Professional Grade Water Softening Solutions

Whirlpool®

www.whirlpoolwatersolutions.com
1-866-986-3223

©/™ ©2021 Whirlpool. All rights reserved. Manufactured under license by Water Channel Partners, Woodbury, MN. Limited warranty provided by manufacturer. 7390105 Rev A

Committed to Quality. Committed to You.

Built on a 100+ year legacy dedicated to helping families thrive, Whirlpool water products enhance your home, health and savings with the most innovative softening and filtration technologies.

SOFTEN YOUR WATER FOR TIME AND MONEY SAVINGS

Owning a Whirlpool Water Softener will help you solve many common water-related problems around the home that impact your wallet year after year.

You'll prolong the lifespan and performance of your water-using appliances, experience better cleaning power from your soaps and cleaners, and enjoy softer feeling skin and hair, to name a few.

See how much you could save with a **Whirlpool Water Softener**.

	1-Year	10-Years
Reduce purchases of everyday cleaning products (soaps, lotions, detergents)	\$118	\$1180
Reduce purchases of personal care items	\$18	\$180
Lower your energy bill (less build-up in pipes and on water heater element)	\$150	\$1500
Longer lasting and brighter clothes, towels and linens	\$180	\$1800
Longer lasting, more efficient plumbing & appliances	\$90	\$900
TOTAL SAVINGS WITH SOFTENED WATER	\$556	\$5560
Additional savings with WHESFC (No costly filters to purchase or replace)*	\$240	\$2400

Compiled from the following sources: Water Quality Research Council and WQA, U.S. Department of Commerce, U.S. Department of Labor, National Industrial Conference Board, Water Conditioning Research Council, National Restaurant Association, American Laundry Institute, Orange County California Research Study, U.S. Bureau of Standards, University of Illinois, University of New Mexico. Savings based on average water usage of a family of four, 20 grains hardness.

*Savings based on average cost of four whole home filter replacements and two refrigerator filter replacements each year.



The Advantage of Whirlpool® Pro Series

Pro Series water softening systems combine top-of-the-line innovation with superior performance and an industry-leading warranty, all at a fraction of the price compared to traditional water treatment dealers.

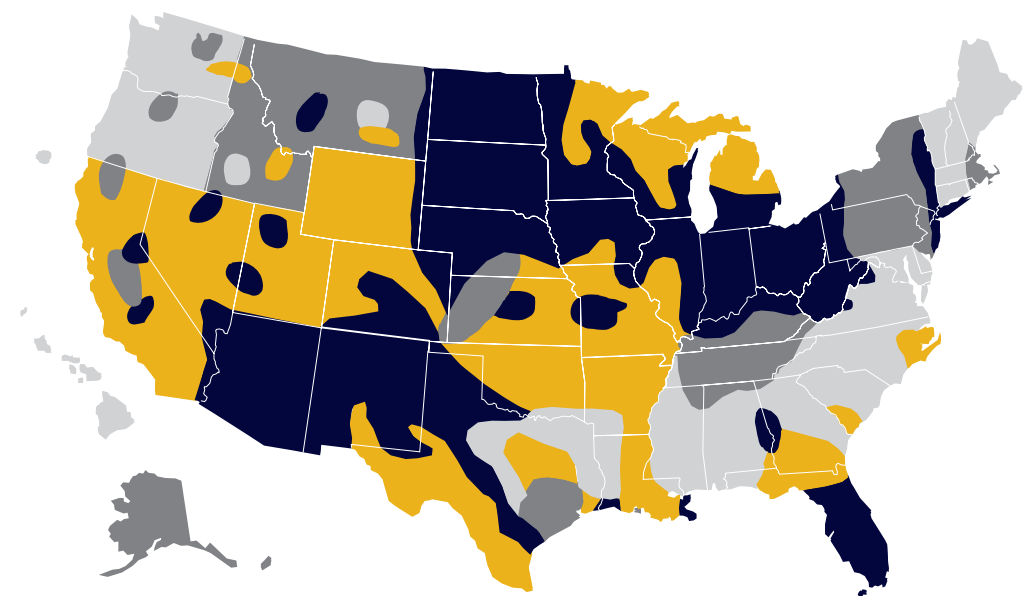
PRO SERIES DELIVERS:

- ✓ Professional-grade water treatment solutions for every budget
- ✓ Lower cost of ownership
- ✓ Comprehensive customer product protection guarantee

Soft Water. Healthy Home. Zero Worries.

HARD WATER COULD BE AFFECTING YOUR HOME

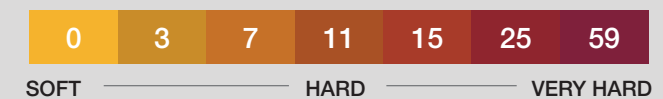
An overwhelming 85% of the USA has hard water. You can determine if your home is affected by using a test strip. Just follow the instructions below for a clear, immediate answer.



0-3.5 grains per gallon - Soft
3.5-7.0 grains per gallon - Moderately Hard
7.0-10.5 grains per gallon - Hard
Over 10.5 grains per gallon - Very Hard

TEST STRIP INSTRUCTIONS

- STEP 1** Fill a glass of cool water from your bathroom faucet.
STEP 2 Dip the test strip into the water for 3 seconds.
STEP 3 Match the strip to the closest color on your testing kit.



HOW TO CHOOSE

Whirlpool is proud to offer a full range of water softening options to accommodate all household needs and budgets. Consider the following when making your decision.

STEP 1

Household Size

Identify household size and number of people.

STEP 2

Plumbing Size

Identify plumbing size. Our softeners hook up to 1" or 1¼" plumbing.

STEP 3

Features

Consider if you want extra features like an inner tank light, sediment filter or iron reduction capabilities.

STEP 4

Warranty

Determine if you need an extended warranty. Our softener warranty can be extended up to 5 years and our PRO Series models can be extended up to 10 years with regular use of Whirlpool Water Softener Cleanser.

INSTALLATION

You will need to connect the water softener to your existing plumbing and have access to a near-by drain and an electrical outlet. For ease of installation, you may want to consider using flexible connectors to connect the water softener to your existing plumbing. Follow the steps below to complete your installation.

Basic Install Process

STEP 1 Shut off all water to your house and turn off your water heater

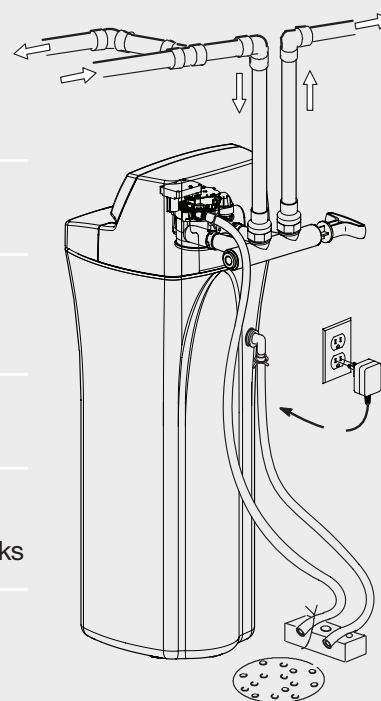
STEP 2 Turn on all faucets to drain the water lines

STEP 3 Make proper plumbing connections to your new softener

STEP 4 Fill the brine tank half full with salt

STEP 5 Slowly push the bypass valve to the soft water position and turn water on slowly to check for leaks

STEP 6 Turn the water heater back on and enjoy the benefits of soft water



✓ GET THE JOB DONE

Replacement Installs

- ✓ 1" NPT flex connectors (size dependent on plumbing configuration)
- ✓ 3 bags of pellet-style water softening salt
- ✓ 3 bottles of Whirlpool® Water Softener Cleanser

New Installs

- ✓ 1" NPT flex connectors (size dependent on plumbing configuration)
- ✓ Copper or PEX tubing
- ✓ Push-to-connect, no-solder fittings
- ✓ Thread sealant
- ✓ Additional 3/8" I.D. tubing
- ✓ 3 bags of pellet-style water softening salt
- ✓ 3 bottles of Whirlpool® Water Softener Cleanser

SOFTENING SYSTEMS

WHES30



WHES40



WHES48 PRO



WHESFC HYBRID PRO



	WHES30	WHES40	WHES48 PRO	WHESFC HYBRID PRO
Household Size	1-4+	1-5+	1-6+	1-5+
Grain Capacity	30,000	40,000	48,000	31,000
Max Water Hardness	95 gpg	125 gpg	160 gpg	120 gpg
Plumbing Connection	Up to 1"	Up to 1"	Up to 1¼"	Up to 1¼"
Clear Iron Reduction	8	10	12	3
6th Sense Technology	✓	✓	✓	✓
Low Salt Indicator	✓	✓	✓	✓
Power Loss Protection	✓	✓	✓	✓
Inner Tank Light		✓	✓	✓
Built-in Sediment Filter			✓	✓
2-in-1 System Filters and Softens Water				✓
Manufacturer's Warranty	3-yrs Electronics, 10-yrs Tanks, 1-yr Parts & Labor	3-yrs Electronics, 10-yrs Tanks, 1-yr Parts & Labor	3-yrs Electronics, 10-yrs Tanks, 2-yr Parts & Labor	3-yrs Electronics, 10-yrs Tanks, 2-yr Parts & Labor
Warranty Extension (with use of WHEWSC Cleanser)	5-yr Parts & Labor	5-yr Parts & Labor	10-yr Parts & Labor	10-yr Parts & Labor